



INNOVATE • DESIGN • CREATE

CEILING FAN AND LIGHT FIXTURE SUPPORT BOX CATALOG

for residential and commercial applications



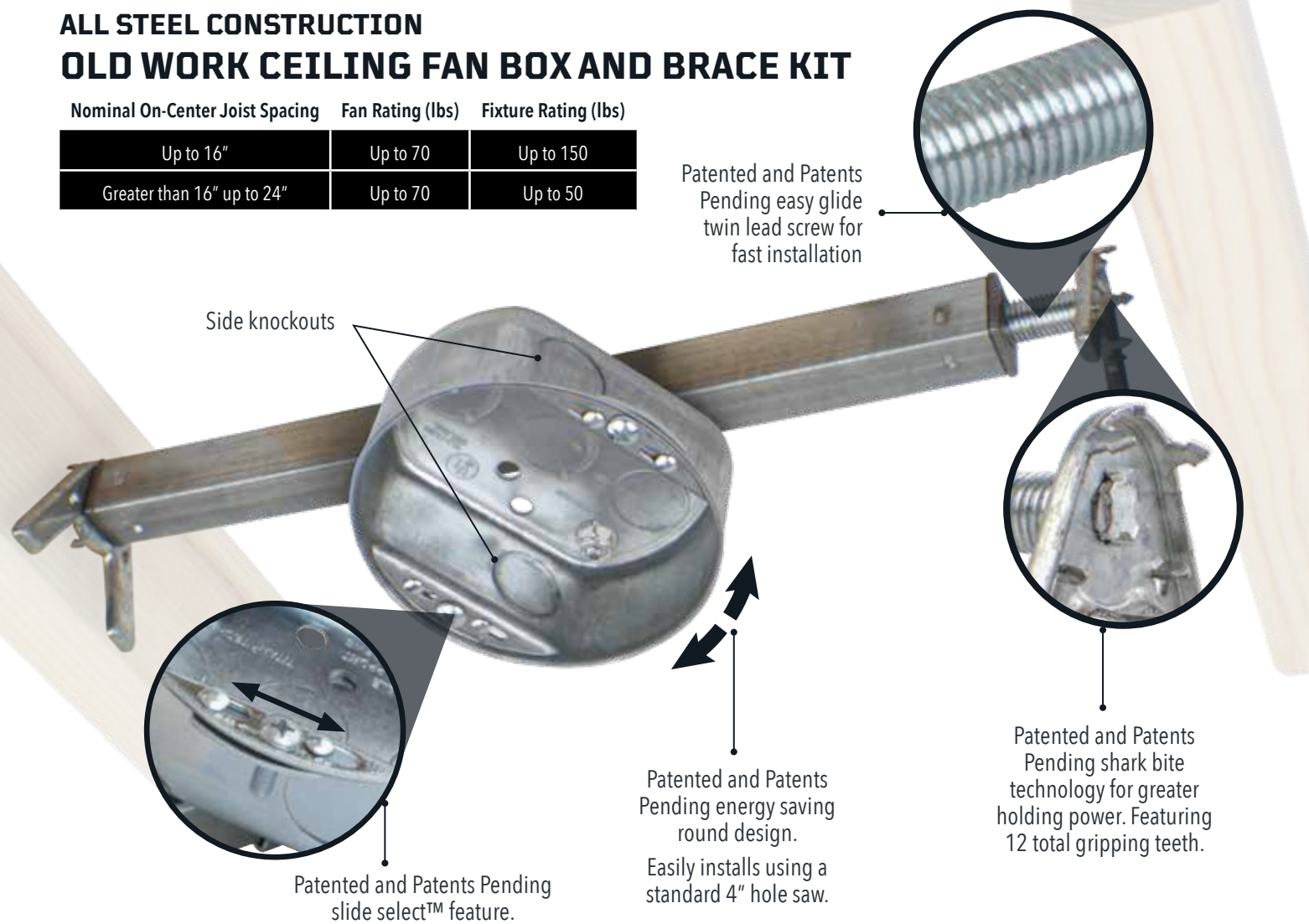
INNOVATE • DESIGN • CREATE



ALL STEEL CONSTRUCTION OLD WORK CEILING FAN BOX AND BRACE KIT

Nominal On-Center Joist Spacing Fan Rating (lbs) Fixture Rating (lbs)

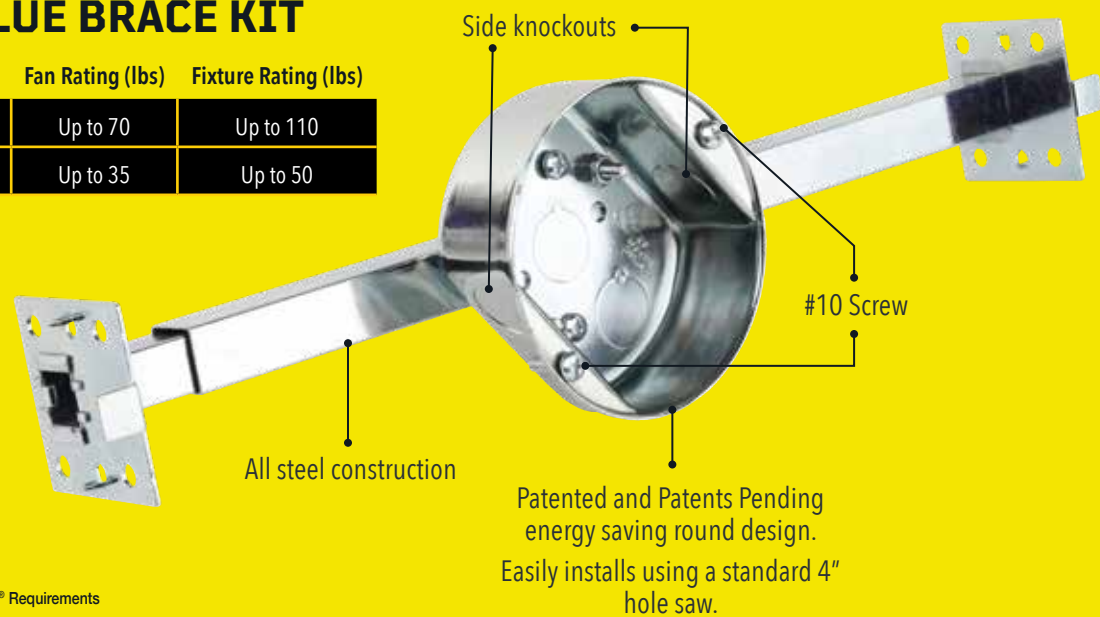
Up to 16"	Up to 70	Up to 150
Greater than 16" up to 24"	Up to 70	Up to 50



ALL STEEL CONSTRUCTION NEW WORK VALUE BRACE KIT

Nominal On-Center Joist Spacing Fan Rating (lbs) Fixture Rating (lbs)

Up to 16"	Up to 70	Up to 110
Greater than 16" up to 24"	Up to 35	Up to 50



CEILING FAN AND LIGHT FIXTURE SUPPORT BOXES



Item#	Description	Size	UPC	I2OF5	Pack Qty.	Stocking
TCMB50	Ceiling Fan Box 4" Round, Pancake With Metal Cover	1/2"	8-11108-03126-7	108-11108-03126-4	12	●
TCMB150	Ceiling Fan Box 4" Round, With Metal Cover	1-1/2"	8-11108-03127-4	108-11108-03127-1	12	●
TCMB218	Ceiling Fan Box 4" Round, With Metal Cover	2-1/8"	8-11108-03128-1	108-11108-03128-8	12	●
TCPB13NM-SM	Side Mount Ceiling Fan Box 4" Round, With Plastic Cover	12 Cu. In.	8-11108-03131-1	108-11108-03131-8	12	
TCPB16NM	Saddle Mount Ceiling Fan Box 4" Round	16 Cu. In.	8-11108-03199-1	108-11108-03199-8	8	
TCMB150-SM	Ceiling Fan Box 4" Round, With Side Mount Bracket	1-1/2"	8-11108-03129-8	108-11108-03129-5	4	
TCMB218-SM	Ceiling Fan Box 4" Round, With Side Mount Bracket	2-1/8"	8-11108-03130-4	108-11108-03130-1	4	
TCMB50-NB-12	New Construction Ceiling Fan Box & Brace Kit 4" Round	1/2"	8-11108-03132-8	108-11108-03132-5	12	
TCMBV150-NB	New Construction Value Ceiling Fan Box & Brace Kit 4" Round	1-1/2"	8-11108-03132-8	108-11108-03132-5	20	●
TCMB150-NB-20	New Construction Ceiling Fan Box & Brace Kit 4" Round	1-1/2"	8-11108-03165-6	108-11108-03165-3	20	●
TCMB218-NB-12	New Construction Ceiling Fan Box & Brace Kit 4" Round	2-1/8"	8-11108-03134-2	108-11108-03134-9	12	
TCMB150-OB-12	Remodel Ceiling Fan Box & Brace Kit 4" Round	1-1/2"	8-11108-03135-9	108-11108-03135-6	12	
TCMB218-OB-12	Remodel Ceiling Fan Box & Brace Kit 4" Round	2-1/8"	8-11108-03136-6	108-11108-03136-3	12	
TCMB150-SC	Ceiling Fan Box & Brace Kit 4" Round Suspended Ceiling Brace	1-1/2"	8-11108-03137-3	108-11108-03137-0	4	
TCMB218-SC	Ceiling Fan Box & Brace Kit 4" Round Suspended Ceiling Brace	2-1/8"	8-11108-03138-0	108-11108-03138-7	4	

US Patent No. 9237665; 9451715 and other patents pending



For Patent information, go to www.titan3patents.com



INNOVATE • DESIGN • CREATE